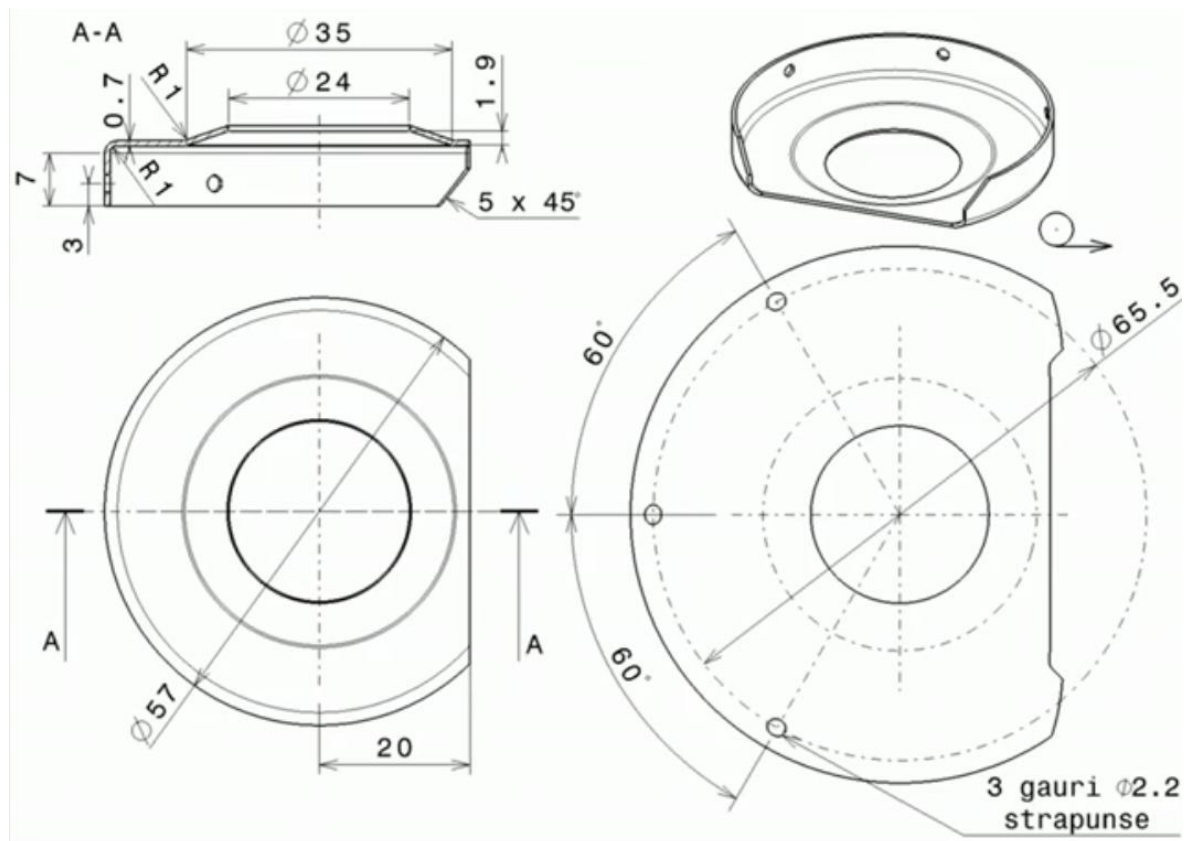


CAD-CAM-CAE Példatár

example title:	Sheetmetal modeling in CAM system
example number:	ÓE-A09
example level:	basic – medium – advanced
CAX system:	CATIA V5
Related material part with TÁMOP	CAM
Job Description:	Sheetmetal modeling in CATIA V5

1. Exercise definition:

Make this model by CATIA!

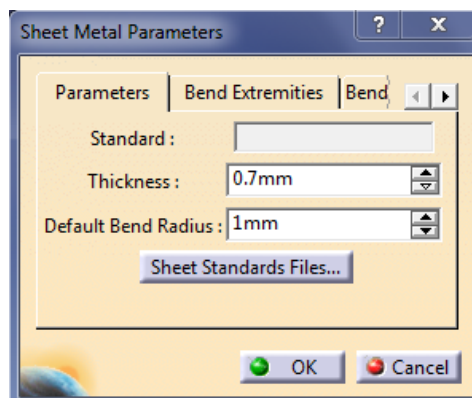


2. Expedient:

2.1. Sheet metal piece preparing

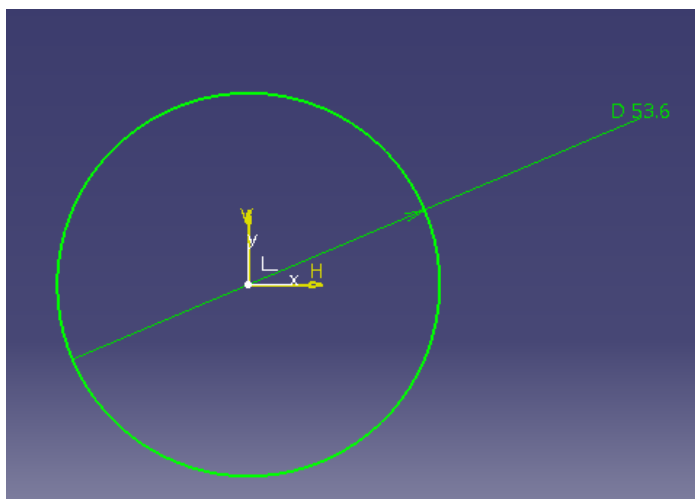
Use the Generative Sheetmetal Design modul in the Mechanical Design modul.

First, choose the Sheet metal parameters  icon, and set the sheet thickness and Default Bend Radius.

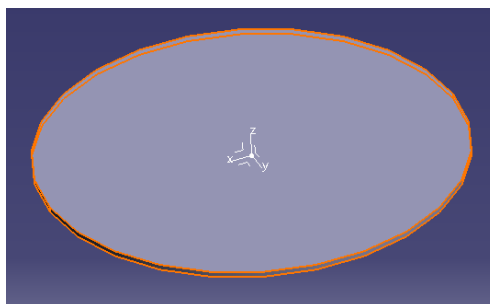
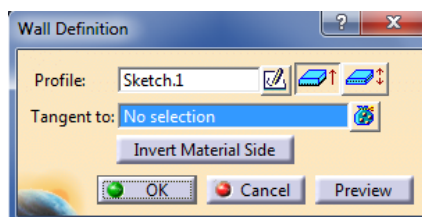


2.2. Make the first sketch

First, draw a circle (d=53,6mm) in a sketch.

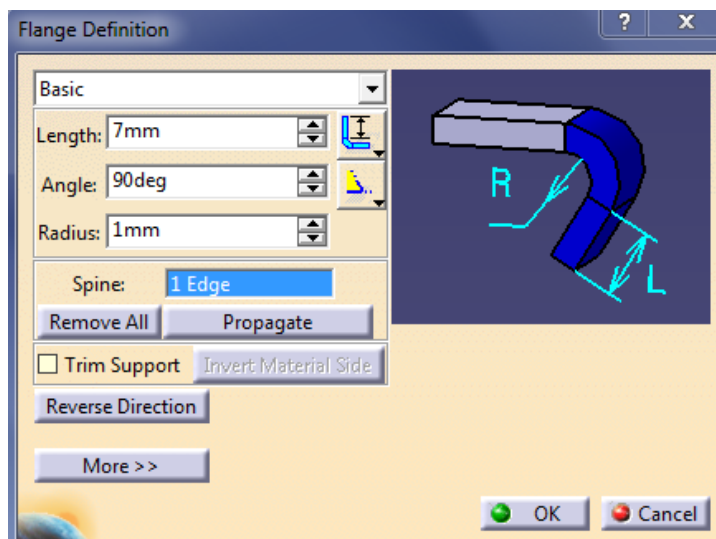


Back to the model clearance, use the wall  icon. Produce the sheet. Choose the profil, to the circle.



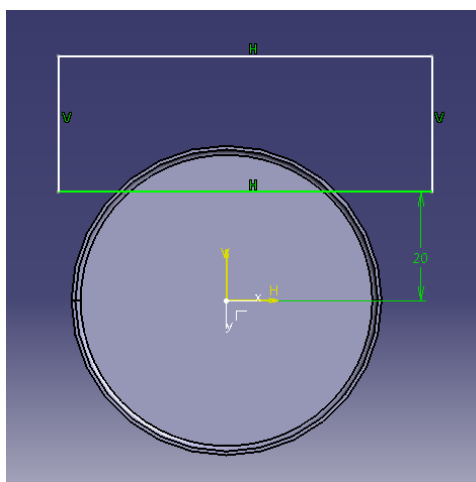
2.3. Make the flange

Use the Flange  icon. Choose the profil and set the length, angle and the radius.

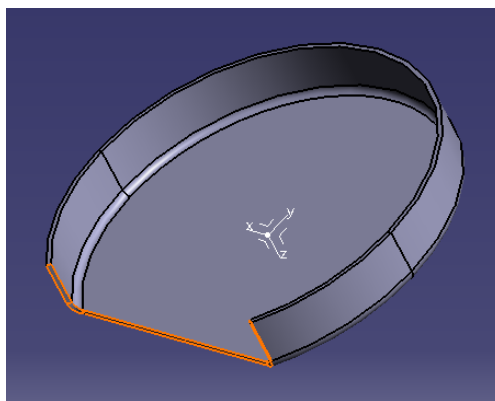


2.4. Make the cut-off side


Choose the surface into the top of the piece. Use the sketch icon and make a rectangle:

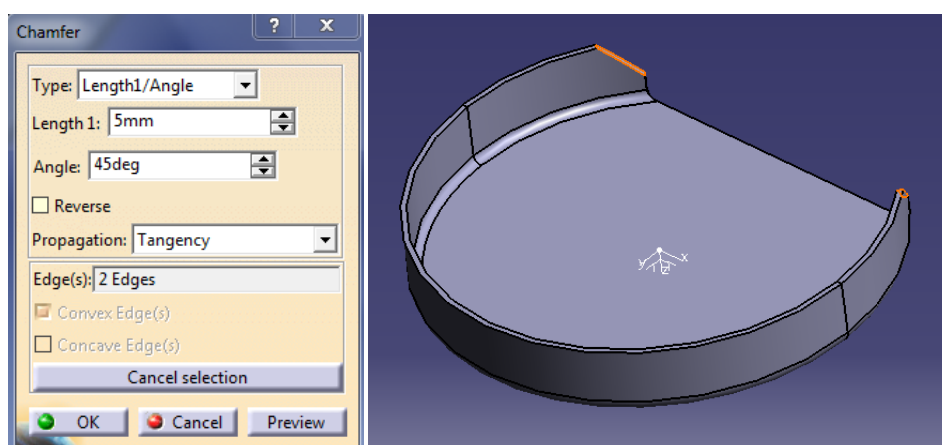


Use the cut out  icon and cut the rectangle.




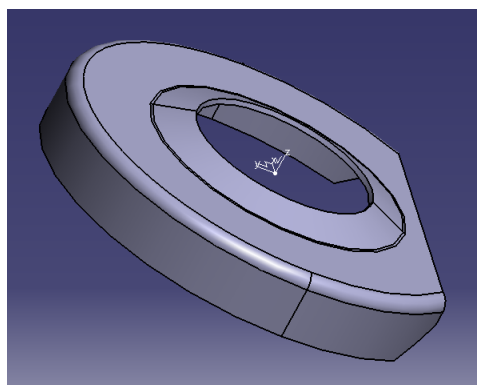
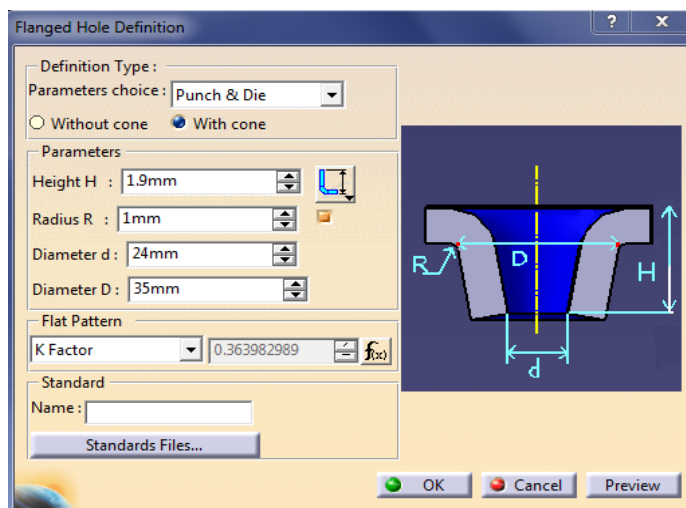
2.5. Make the chamfers

Use the chamfer  icon.
Assign the edge and set the length and the angle.



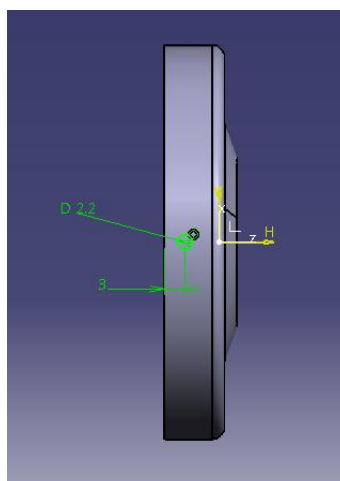
2.6. Make the flanged hole


Use the Flanged Hole  icon. Choose the plane where need to set formation. Assign the height (H), radius (R) diameter (d) and the other diameter (D):

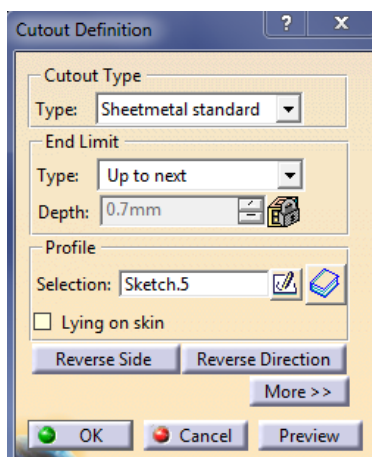


2.7. Make the holes

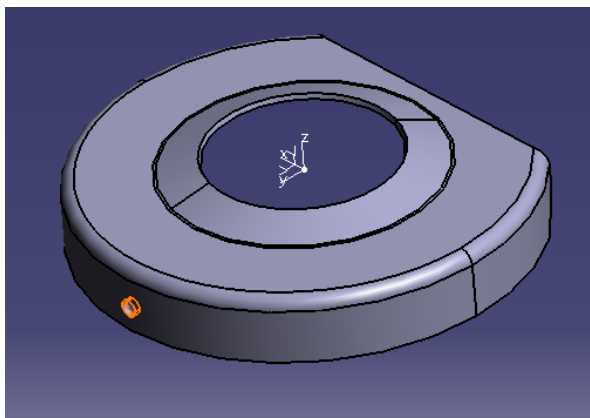
First make the middle hole.



Use the cut out  icon.

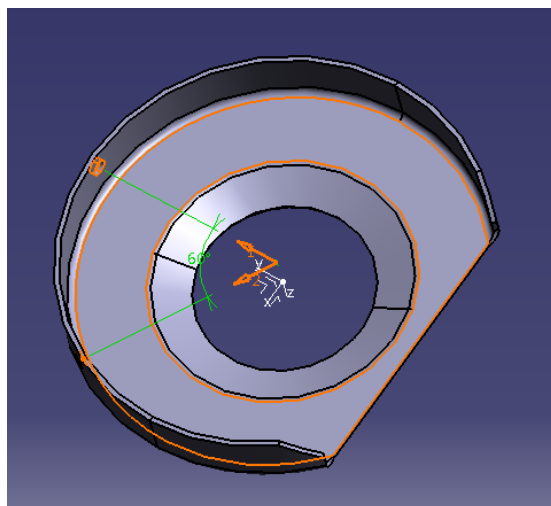
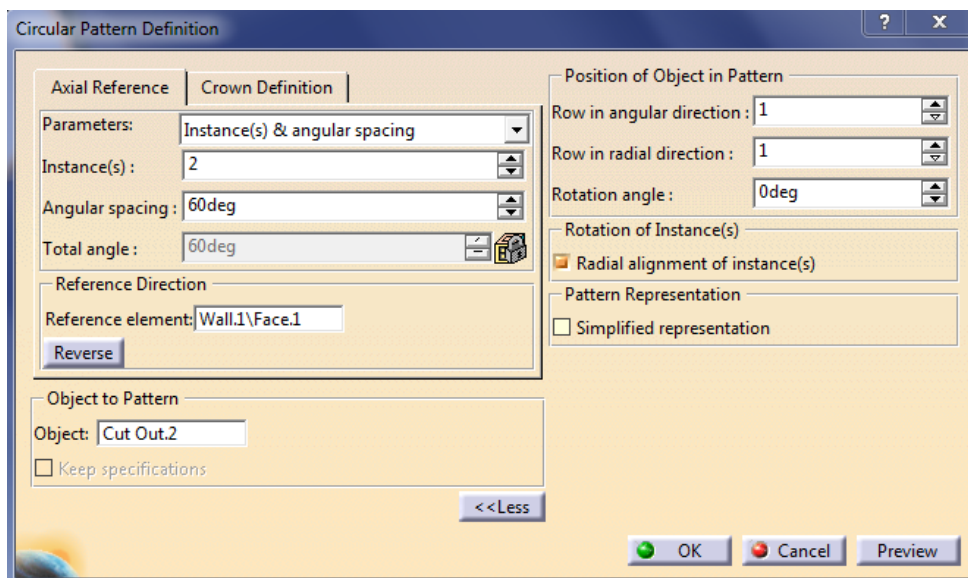


Don't change the parameters.



2.9. Make the other two holes

Use the Circular Pattern  icon. and assign the parameters:



Make the third hole, but the angular spacing is 60 deg.

