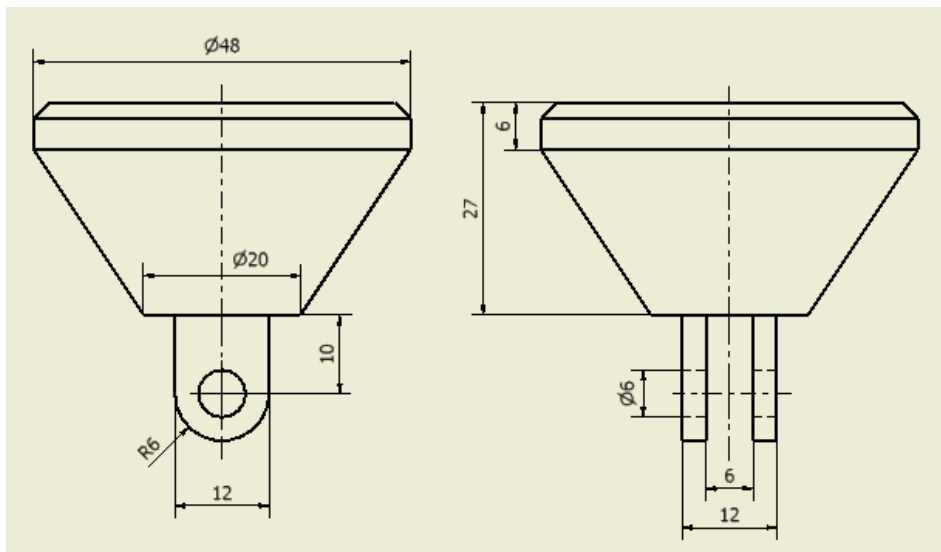
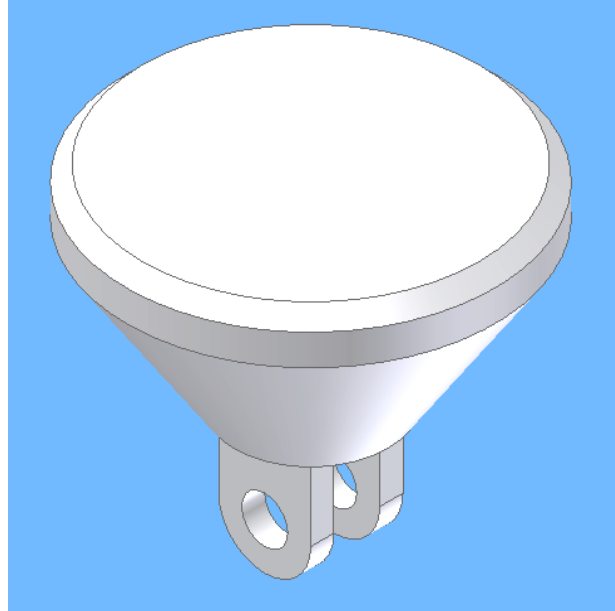


Part 02- exercise

Applying part modeling

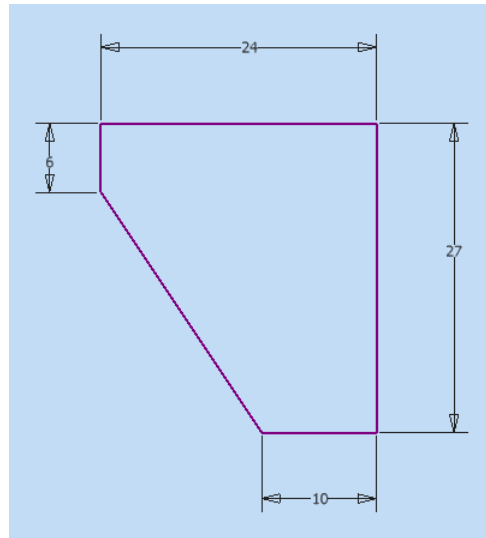
Assignment: Prepare the modeling of the part shown in the figure below!
Preparing the drawing is not included in the assignment!



Assignment aim: Extending the knowledge regarding the program application through modeling of a simple part.

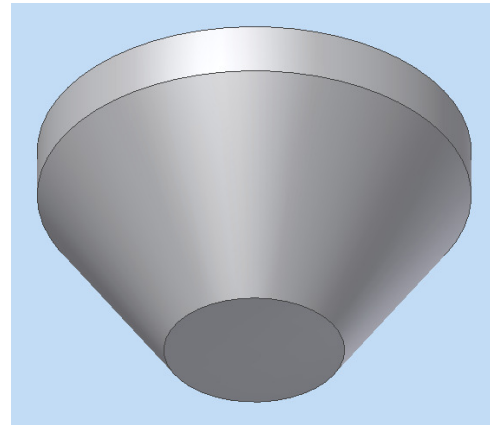
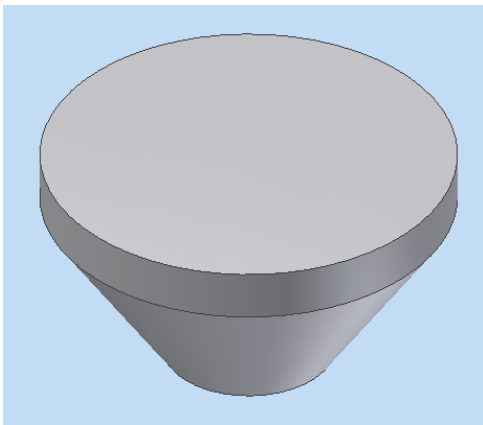
Sketch preparation, automatic geometric constraints, modifying them, sharing the sketch, rotation, extrude, chamfering.

- 1) Start a new problem, prepare the basic adjustments considering the shape and dimensions of the part to be prepared.
- 2) Prepare the required sketch for formation the form feature by applying the geometric and dimension constraints.



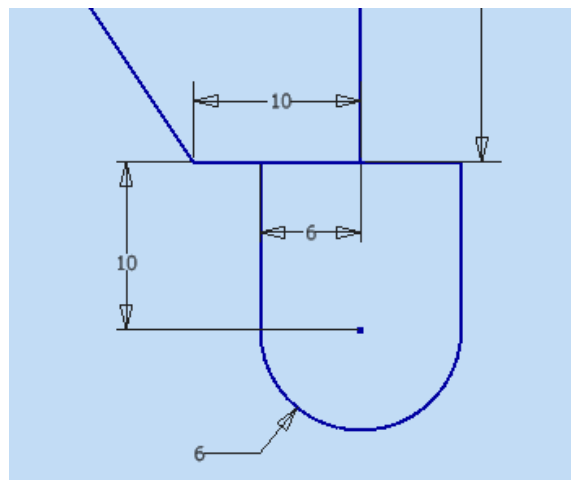
During the preparation of the sketch apply the line command. Explain the role of “**fixing**” constraint.

- 3) Create the form feature by applying rotation!



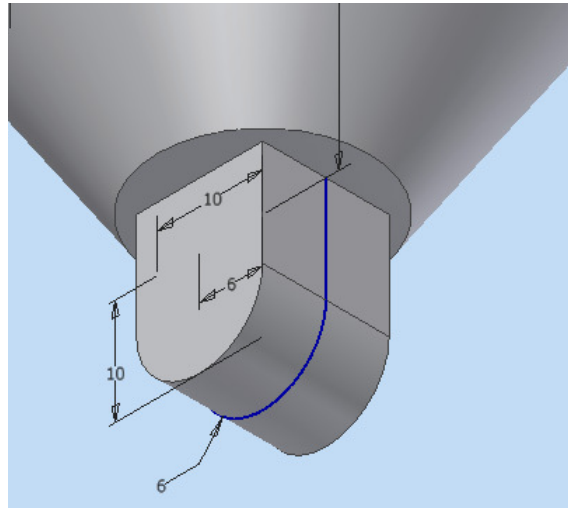
The options applied for rotation should be discussed.

- 4) For creating the ear apply the command of sketch sharing.

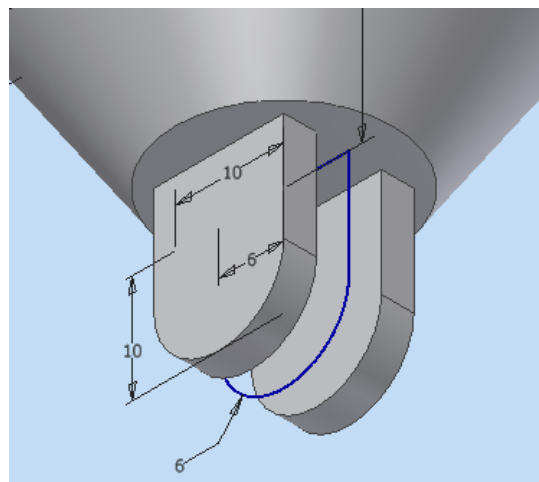


The attention should be drawn that the new sketch must be positioned to the old one. If the program includes the possibility of poly-line dimension in drawing then it should be reviewed here.

- 5) The solid form of the ear (12 mm) to be produced by printing order.

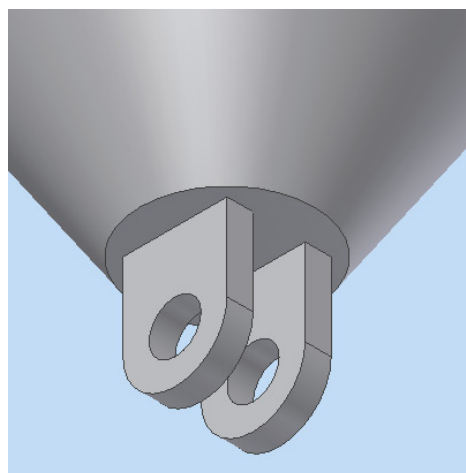


- 6) Create the inner part of the ear (6 mm) by applying the earlier sketch and the “extruding order”.



Let be viewed the possibilities of visibility of the sketches and hiding of the sketches.

- 7) The sketch plane is taken on the front plane of the ear. Create the hole (diameter 6 mm) as located form features.



- 8) As located form feature prepare chamfering (2x45°).

